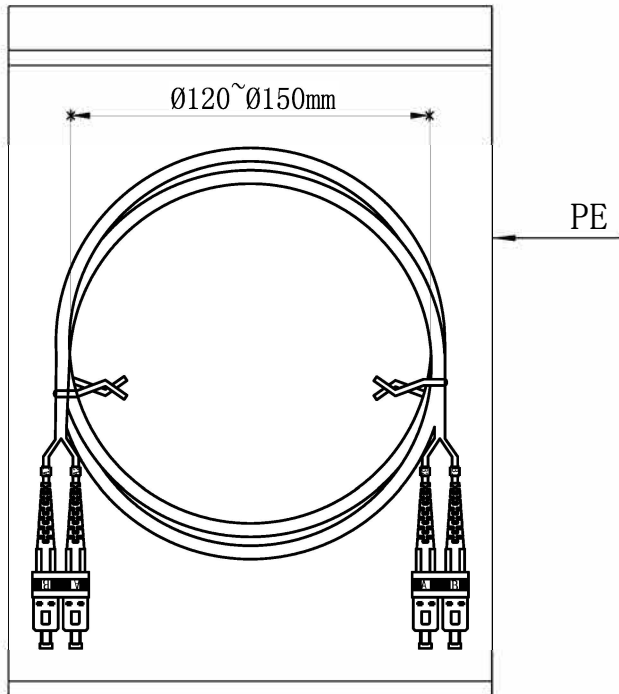
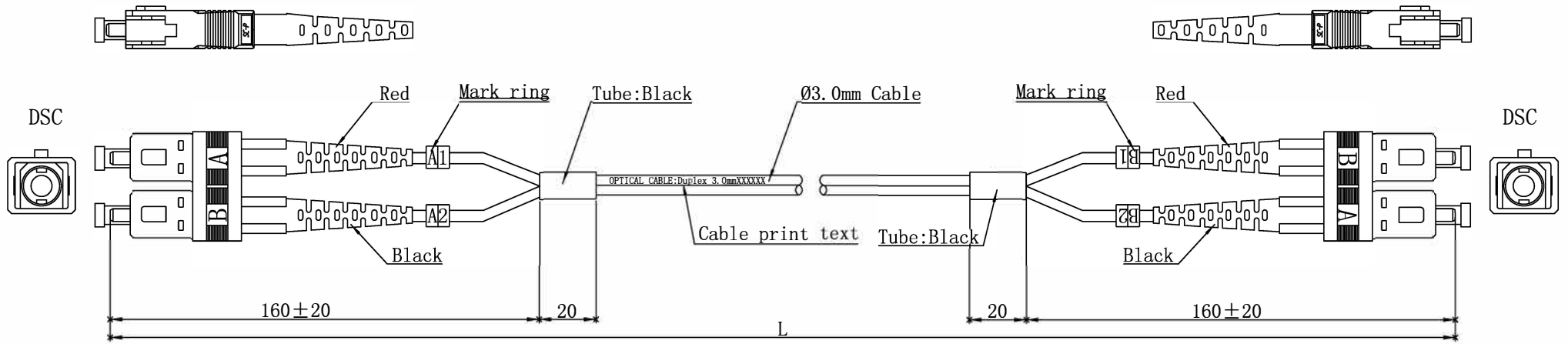


NOTE: ALL MATERIAL COMPLIANT ROHS STANDARD

REVISION INFORMATION

Rev.	Rev. Date	Modified By	Brief Description



Specifications:

Type	DSC/UPC-DSC/UPC
Fiber Mode	SM
Core Diameter(um)	9/125
Operating Wavelength(nm)	1310/1550
Cable Color	Yellow
Cable Diameter (mm)	Ø3.0
Operating Temperature(° C)	-40~+75
Storage Temperature(° C)	-40~+85
SC Connector Color (Boot)	Red/Black
Insertion loss (dB)	≤0.3dB
Return loss (dB)	≥50dB

$L \leq 5m$, TOLERANCES: $0 \leq \Delta L \leq 5cm$
$L > 5m$, TOLERANCES: $0 \leq \Delta L \leq 1\% * L$

LANshack
Sales@LANshack.com | 888-568-1230

NO.	PART NAME	SPECIFICATION DESCRIPTION	QTY	UNIT
①				
②				
③				

Unless specified on the drawing, tolerances are per the follows:

.x	+1
+0.2	
.xx	+0.05

DRAWN BY	DATE: 2015/05/14	DESCRIPTION: SC-SC-DX SM Patchcord
CHECKED BY	SHEET 1 of 1	ITEM NO. SFPC-SM-SCSC-XX
APPROVED BY	SCALE 1:1	REV. 00 UNIT:mm